



# Standing Seam Roof Systems

*We Slope Flat Roofs*



**H**AVE YOU BEEN THROWING  
YOUR MONEY AWAY ON ROOF  
REPAIRS?



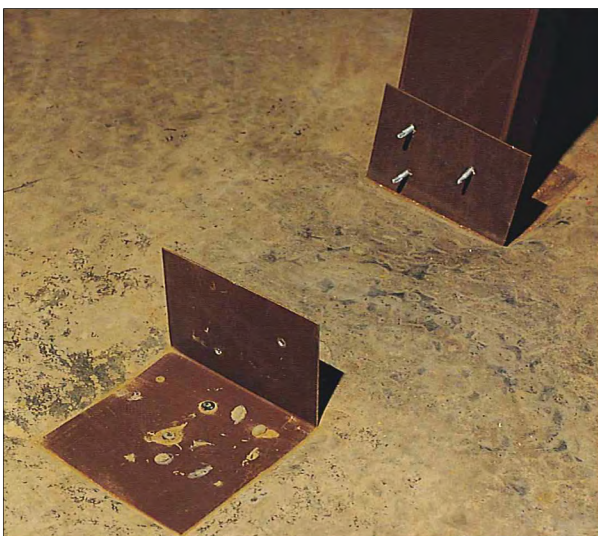


***A-Lert has set the industry standard in standing seam metal roofing from experience acquired from installing millions of square feet of metal roofing. A-Lert will design, engineer, manufacture, and install a roof system to meet or exceed your local code and loading requirements.***

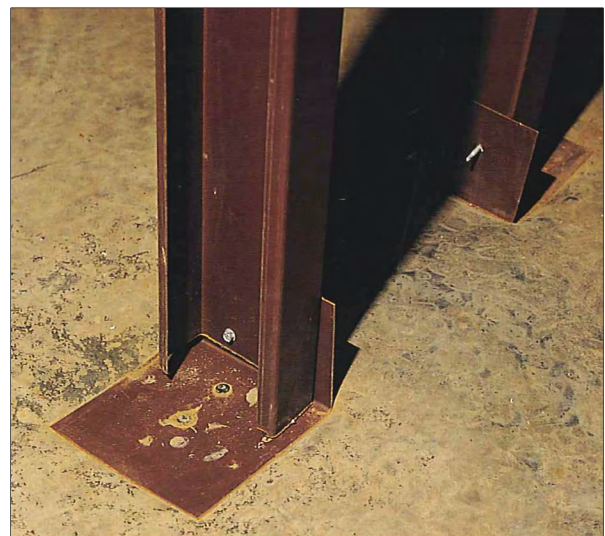
Millions of dollars are spent every year on roof repairs and replacement. Much of this cost is an unnecessary direct result of poor installation, improper drainage, and subpar design. Every dollar spent on maintenance takes away funds that could be directed toward performing the primary functions of a business, school, church, or government agency. A-Lert Roof System's innovative standing seam metal roof system begins to pay for itself from day one of installation. A-Lert's sloping roof and metal components eliminate the principal causes of roof leaks and deterioration while improving the overall aesthetics of the building.

A-Lert has designed a lightweight, pre-engineered sloped framing system for retro-fitting existing roofs. The system attaches directly to the existing roof or its supporting structure to create the desired roof slope. This environmentally sensitive solutions allows the old roof to remain in place, thus reducing disposal and landfill costs while improving insulation values.

In order to assure project quality, A-Lert custom fabricates onsite using components manufactured at our headquarters in New Braunfels, Texas. Continuous roof panels are roll formed on the jobsite, eliminating lap joints. The roof panels are attached to the framing system with floating clips which accommodate the normal expansion and contraction of the metal panels. The clips are concealed when the interlocking roof panels have been mechanically seamed together. Roof panels, wall panels, flashing, trim, gutters, and downspouts are available in a variety of materials, gauges, and architectural colors. Building owners can specify adding insulation to improve energy efficiency. A-Lert Standing Seam Roofs are a cost effective way to limit maintenance expenses and improve the apperance of a building.



**1** Base plates are anchored to the existing roof structure.



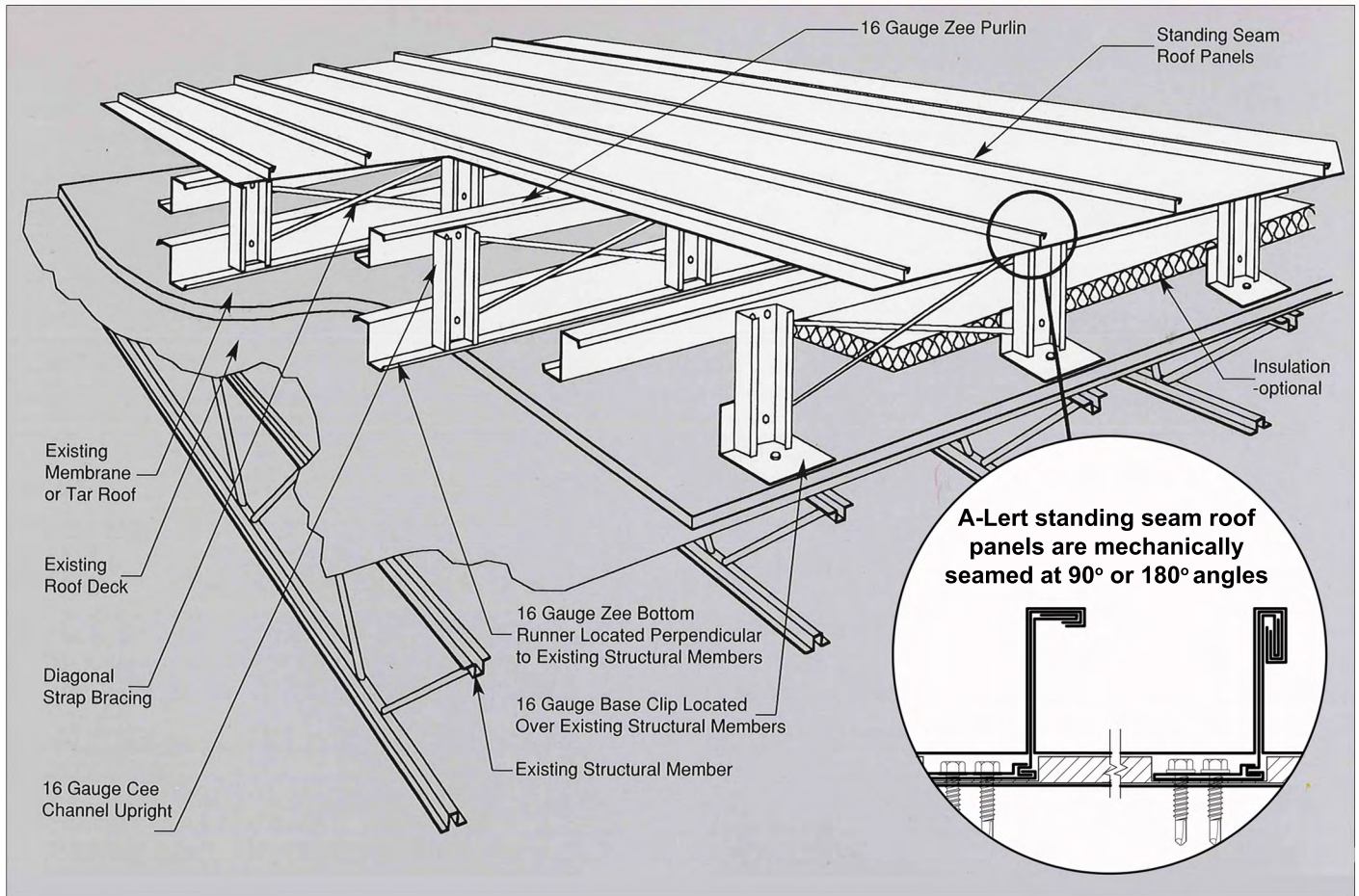
**2** Vertical Cee channels are attached to lower framing members.





# Standing Seam Roof Systems

*We Slope Flat Roofs*



**3** Zee purlins are attached to Cee channels to create desired slope.



**4** Cross bracing reinforces the completed framing.





***Flat Roofs are Problem Roofs...  
A-Lert is the Solution!***

## **A-LERT ROOF SYSTEM FEATURES**

### **STEEL CONSTRUCTION**

durability for longer life span and strength

### **SLOPED FRAMING**

eliminates ponding water, improves roof performance and appearance, reduces potential structure collapse, and corrects insufficient or improper drainage

### **JOBSITE MANUFACTURING**

durability for longer life span and strength

### **CONCEALED EXPANSION CLIP FASTENERS**

helps eliminate screw penetrations and allows for thermal expansion and contraction

### **CUSTOMIZATION**

choose one of our standard styles of trim or design your own for a unique look

### **LIGHTWEIGHT**

adds less weight versus other system types

### **ONE-STOP SHOPPING**

roof design, shop drawings, in-house engineering, specification assistance, manufacturing, erection, and industry leading warranty are provided by A-Lert Roof Systems

### **QUALITY AND EXPERIENCE**

customer satisfaction, reliability, long-term savings, and dependable warranty service



**5** Concealed fastening clips secure the roof panels to the framework.



**6** Roof panels overlap and are sealed together with a mechanical seamer.





## ROOF SYSTEMS

*"A-Lert is easily the best contractor this school has ever worked with, and I would recommend their work to anyone. They went above and beyond. Not only did A-Lert modernize our school and make it look great, but they finished sixty days ahead of schedule! Also, we are getting lots of feedback from the community on our roof and it has all been positive...everyone is very impressed. I can't wait to work with A-Lert on upcoming projects!"*

*Mindi Brennaman, Principal/Assistant Superintendent  
Lakin Elementary School, Lakin KS*

**BEFORE**



**AFTER**



**BEFORE**



**AFTER**



**BEFORE**



**AFTER**



A metal standing seam roof from A-Lert not only addresses many of the issues associated with flat roofs including ponding water, leaks, moisture, safety, and maintenance hassles, but also improves the overall aesthetic appearance and increases the value of the building.





**A-Lert Roof Systems,**  
a division of Centurion Industries, Inc.  
2065 FM 1102 • New Braunfels, Texas 78132  
(800) 210-5375 • [ars@centurionind.com](mailto:ars@centurionind.com)  
[www.alertroofsystems.com](http://www.alertroofsystems.com)



**A-Lert Standing Seam Metal Roof Panels meet the following ratings and certifications:**

- GSA Certified
- UL 90 Rated
- ASTM E 1592
- TXMAS Certified

**OUR CORE VALUES**

**Safety • Integrity  
Employees • Partnerships  
Unrelenting Customer Service**

